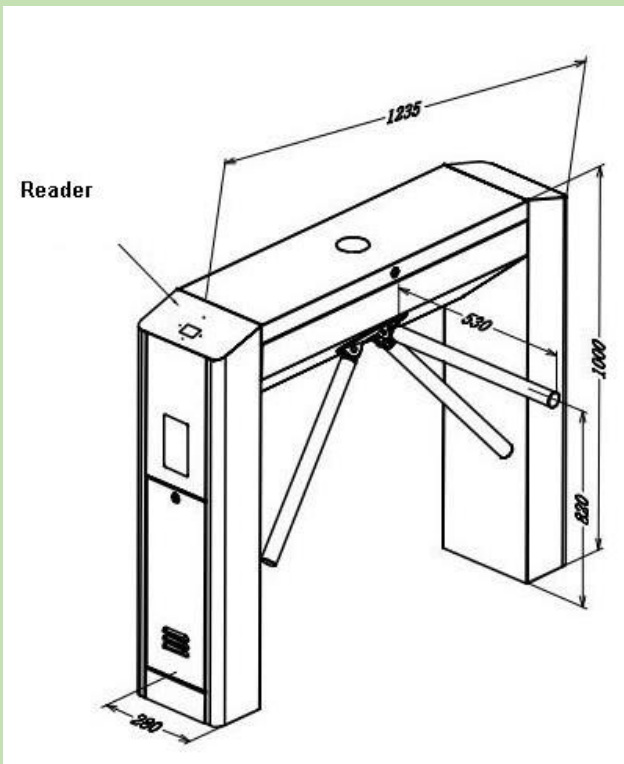


SEMI AUTO TRIPOD TURNSTILE



SATT-280



SATT is a motorised turnstile system designed for reliability, low noise and long service life.

The motor allow the arm to rotate automatically when push (semi-auto) and reset after programmed time lapsed.

Drop arm function : During power failure the arm will drop & auto lock (raise arm) after power return.

Bi-directional access and come with front & back led display and top directional led alert. Can be integrated with card access or biometric reader for access control.

Built-in control panel with led indications for programming & diagnostic functions.

(Optional : counter & buzzer)

Specification

Housing Materials: Stainless Steel

Power Supply: AC220V \pm 10%

Power Consumption: 50W

Motor, Control Circuit & LED: DC12V \pm 5%

Motor Speed: 850 rpm

Working environment: Indoor and Outdoor

Ambient temperature: -15 °C.~ +55 °C.

Relative humidity: 5% - 90%

Dimension: L1235 x W280 X H1000 MM

Arm : 500/530 MM

Pass Speed: up to 30 person per minute