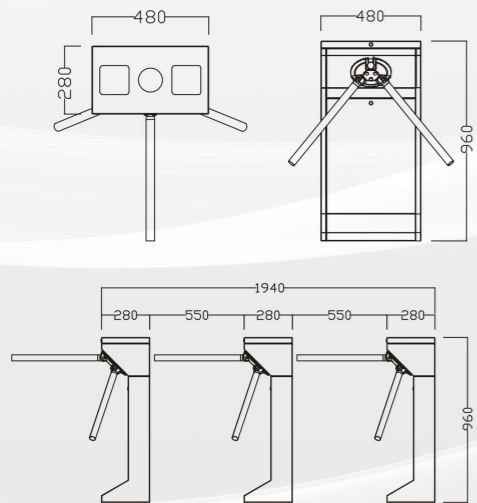


IN 128



Technical data:

1. Size: 480x280x960mm;
2. Unlock time: 0.2s ;
3. Pass rate: 35person /min;
4. Pass width: ≤550mm;
5. Input : 100V~240V;
6. Driving voltage: 24v;
7. Environment: -25~+70°C;
8. Power consumption: 30w;
9. Input: 12v dry contact.

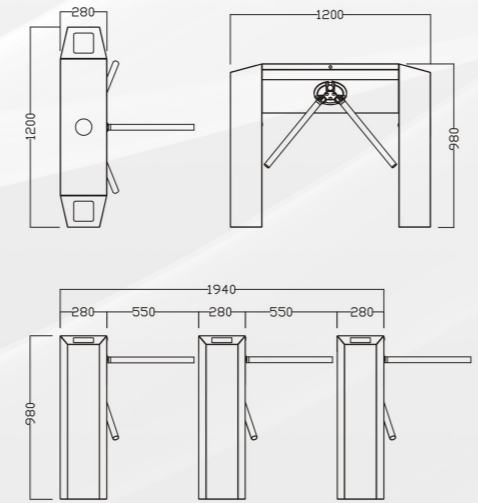


IN 142



Technical data:

1. Size: 1200x280x980mm;
2. Unlock time: 0.2s ;
3. Pass rate: 35person /min;
4. Pass width: ≤550mm;
5. Input : 100V~240V;
6. Driving voltage: 24v;
7. Environment: -25~+70°C;
8. Power consumption: 30w;
9. Input: 12v dry contact.

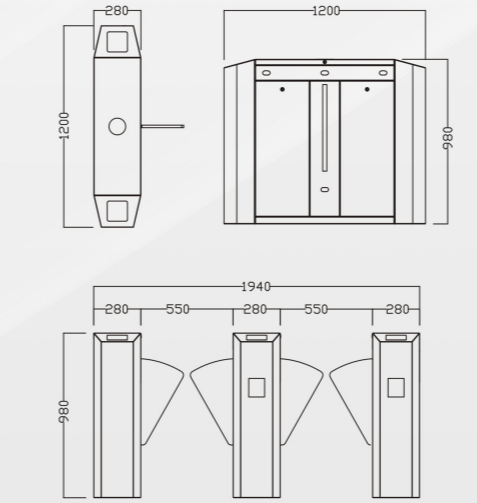


IN 242



Technical data:

1. Size: 1200x280x980mm;
2. Unlock time: 0.2s ;
3. Pass rate: 35person /min;
4. Pass width: ≤550mm;
5. Input : 100V~240V;
6. Driving voltage: 24v;
7. Environment: -25~+70°C;
8. Power consumption: 35w;
9. Input: 12v dry contact.



IN 343



Technical data:

1. Size: 1200x280x980mm;
2. Unlock time: 0.2s ;
3. Pass rate: 35person /min;
4. Pass width: ≤1100mm;
5. Input : 100V~240V;
6. Driving voltage: 24v;
7. Environment: -25~+70°C;
8. Power consumption: 35w;
9. Input: 12v dry contact.

