

## E242 Product Show



## Functions & Features

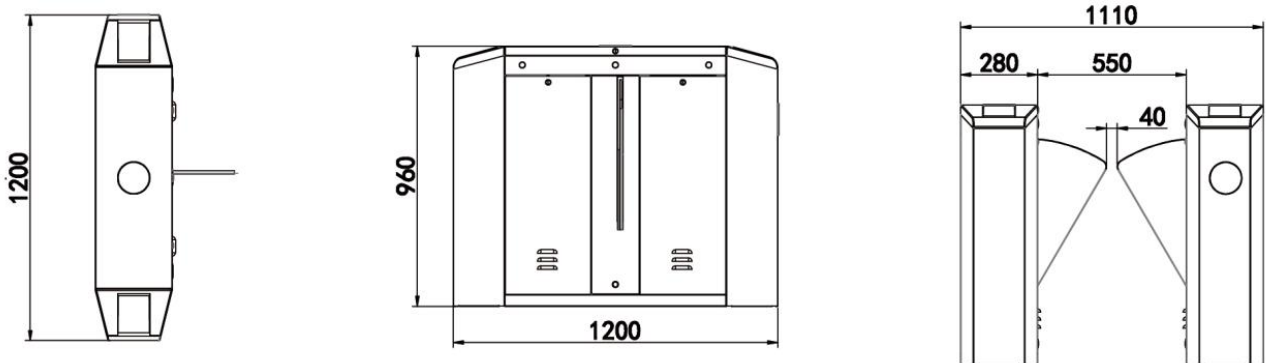
- 1、 Reasonable and reliable design, low noise, smooth operation and long service life;
- 2、 With function of opening doors automatically under power-off state to meet the need of fire-fighting passage;
- 3、 With functions of anti-tail, anti-reverse pass and so on;
- 4、 Card can be set "with memory" or "without memory" functions;
- 5、 With automatic reset function, i.e. after having access to the gate, the gate automatically restores to the locked state if not pass within the time set;
- 6、 With infrared anti-clip function (anti-clip when gate is open or running);
- 7、 Compatible with IC, ID card, scanning and face recognition,etc.
- 8、 Two modes of operation are available: open or closed.
- 9、 Various working modes are available, including two-way card reading and one-way card reading,etc.

## Parameters

Material	1.2+1mm SUS304
Size	1200*280*960 mm

Sensor pairs	4 pairs
Pass rate	35p/m
Pass width	550mm
Input voltage	100V~240V
Motor type	24V DC brush motor
Environment	-20~+70°C
Power supply	24V 150W
Net weight	43KG

## Product



## Case share

