



SUPRA MB 24V



This barrier has reinforced mechanical features which make it extremely long-lasting. The automation is equipped with an encoder system: this means that every access is that much safer. Thanks to the jointed boom, Supra MB24 is ideal for use in underground parking areas. Last but not least, it is suited to intensive use.

Choose Supra MB24 if you are seeking an alternative but without compromising on quality.

- Usable for booms of up to 5 metres.
- External shell coated with polyester paints specially made for outdoor use.
- Equipped with encoder.
- Articulated bar perfect for underground car parks.

Sturdiness and reliability.



Simple, durable solutions
thanks to reinforced
mechanical features.
Precise response for
intensive use.



SUPRA MB 24 DL

24V

Automatic road barrier for booms of up to 5 metres.

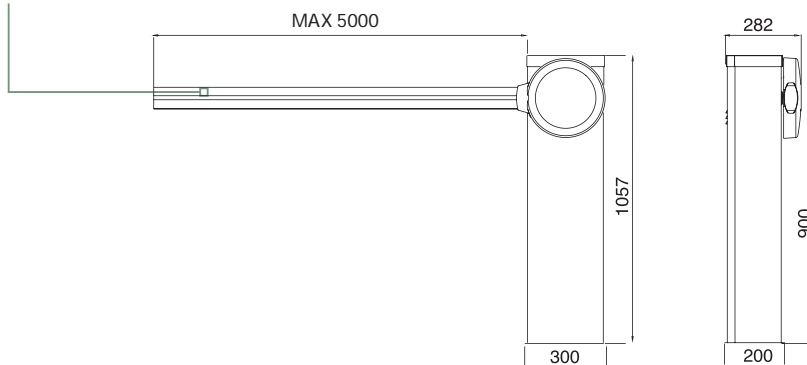
● = 24V d.c.

Code	1 Booms	Motor	Description	Pcs. Pallet
SUPRA MB 24 DL	from 3 to 5 m Max	24V d.c.	Irreversible electromechanical gear motor with a red galvanized steel box. Model equipped with encoder, electromechanical limit switches and mechanical stops for opening and closing and control unit (RG1RE 24 DL).	8/12

	SUPRA MB24	FAST R2	SUE1	SUC4	SUSPL	SUC1	SUC5	SUC2	SUC3	SUM1	SUM2	SUM3	SUB3	SUB4	SUB5	SUB3 Jointed
SETUP SUPRA MB24 3M Jointed	1	2		4		6	7			10						16
SETUP SUPRA MB24 3MSC * DL	1	2		4		6	7			10			13			
SETUP SUPRA MB24 4MSC * DL	1	2		4		6	7				11			14		
SETUP SUPRA MB24 5MSC * DL	1	2		4		6	7					12			15	

Automatic road barrier for booms of up to 5 m.

dimensions



FAST R2 2



Two channels radio receiver on 433.92 MHz frequency. Rolling code/autocode. Plug-in module. (1 Pc./Pack)

SUE1 3



Foundation plate with anchors (1 Pc./Pack)

SUC4 4



Reflector strips (18 Pcs./Pack)

SUSPL 5



Barrier light (1 Pc./Pack)

SUC1 6



Rubber protection, L=10 metres with accessory kit (1 Pc./Pack)

SUC5 7



Protection strip L=2 metres (10 Metres/Pack)

SUC2 8



LED strip for SUB boom

SUC3 9



Connection kit for luminous cord

SUPRA MB 24 DL

24V

Technical specifications

	SUPRA MB 24
Max. boom length (m)	5
Mains power supply (V)	230V a.c.
Motor power supply (V)	24V d.c.
Power (W)	150
Torque (Nm)	150
Operating T° (°C Min/Max.)	- 20 +70
Protection class (IP)	44
Work intermittence (%)	80
Opening time	2-6

Parameters for selecting the balancing springs.

	3 m	4 m	5 m
Simple boom + rubber protection	SUM1	SUM1	SUM2
Grooved boom + rubber protection	SUM1	SUM2	SUM3
Grooved boom + rubber protection + luminous cord	SUM2	SUM3	SUM3
Grooved boom + rubber protection + mobile support	SUM2	SUM3	SUM3
Grooved boom + rubber protection + luminous cord + mobile support	SUM2	SUM3	SUM3

NB. The table above is for illustrative purposes only. It shows a few of the most common sequences for installation. For any other different fittings, please do not hesitate to contact Life customer service and support.

SUM1 10



Balancing spring (1 Pc./Pack)

SUM2 11



Balancing spring (1 Pc./Pack)

SUM3 12



Balancing spring (1 Pc./Pack)

SUB3 13



Grooved boom L= 3.2 metres (1 Pc./Pack)

SUB4 14



Grooved boom L= 4.2 metres (1 Pc./Pack)

SUB5 15



Grooved boom L= 5.2 metres (1 Pc./Pack)

SUB3 jointed 16



Full kit for grooved articulated boom, for SUPRA MB* L= 3 metres (1 Pc./Pack)

SUD1



Fixed support for SUA and SUB booms (1 Pc./Pack)

SUD2



Fixed support for SUB boom (1 Pc./Pack)

SUS1



Support bracket for two AGE 12 batteries (1 Pc./Pack)

AGECH XL



Additional circuit for control unit battery charging (1 Pc./Pack)

AGE 12



Battery 12V - 2.3 Ah (2 Pcs./Pack)